

PANASONIC NEW DOMESTIC AIR TO AIR HEAT PUMP LIST PRICE (1/2017)

Hungary

Ervényes: 20.03.2017-31.03.2018 vagy visszavonásig!
Price without VAT!



Models	Cooling Capacity	Heating Capacity	Energy Class		Indoor Unit type	Picture	Outdoor Unit type	Indoor unit Price	Outdoor unit Price	New list Price HUF 2017
			Cooling SEER	Heating SCOP						

FLAGSHIP INVERTER PLUS - NORDIC NON STOP HEATING; Heating down to -35°C; Cooling down to -10°C R32

KIT-VZ9SKE (R32)	0,6-3 kW	0,6-7,8 kW	A+++	A+++	CS-VZ9SKE		CU-VZ9SKE	279 000 Ft	420 000 Ft	699 000 Ft
KIT-VZ12SKE (R32)	0,6-4 kW	0,6-9,2 kW	A+++	A+++	CS-VZ12SKE		CU-VZ12SKE	309 000 Ft	490 000 Ft	799 000 Ft

NORDIC INVERTER PLUS - NORDIC HEAT PUMP; Heating down to -20°C; Cooling down to -15°C; Heating Priority! R32

KIT-NZ9SKE (R32)	0,85-3 kW	0,85-6 kW	A++	A++	CS-NZ9SKE		CU-NZ9SKE	82 000 Ft	213 000 Ft	295 000 Ft
KIT-NZ12SKE (R32)	0,85-4 kW	0,85-7,2 kW	A++	A++	CS-NZ12SKE		CU-NZ12SKE	99 000 Ft	236 000 Ft	335 000 Ft
KIT-NZ50TKE (R32) Available from Aug 2017.	n.a.	n.a.	n.a.	n.a.	CS-NZ50TKE		CU-NZ50TKE	later	later	later

ETHEREA INVERTER PLUS - SILVER - NANO-E-G filter; Heating down to -15°C; Cooling down to -10°C R32

KIT-XZ7SKE (R32)	0,75-2,4 kW	0,75-4 kW	A++	A++	CS-XZ7SKE		CU-Z7SKE	100 000 Ft	154 000 Ft	254 000 Ft
KIT-XZ9SKE (R32)	0,85-3 kW	0,85-5 kW	A+++	A++	CS-XZ9SKE		CU-Z9SKE	110 000 Ft	169 000 Ft	279 000 Ft
KIT-XZ12SKE (R32)	0,85-4 kW	0,85-5,8 kW	A+++	A++	CS-XZ12SKE		CU-Z12SKE	120 000 Ft	209 000 Ft	329 000 Ft
KIT-XZ18SKE (R32)	0,98-5,6 kW	0,98-7,5 kW	A++	A+	CS-XZ18SKE		CU-Z18SKE	190 000 Ft	309 000 Ft	499 000 Ft

ETHEREA INVERTER PLUS - WHITE - NANO-E-G filter; Heating down to -15°C; Cooling down to -10°C R32

KIT-Z7SKEM (R32)	0,75-2,4 kW	0,75-4 kW	A++	A++	CS-Z7SKEM		CU-Z7SKE	90 000 Ft	154 000 Ft	244 000 Ft
KIT-Z9SKEM (R32)	0,85-3 kW	0,85-5 kW	A+++	A++	CS-Z9SKEM		CU-Z9SKE	100 000 Ft	169 000 Ft	269 000 Ft
KIT-Z12SKEM (R32)	0,85-4 kW	0,85-5,8 kW	A+++	A++	CS-Z12SKEM		CU-Z12SKE	110 000 Ft	209 000 Ft	319 000 Ft
KIT-Z15SKEM (R32)	0,85-5 kW	0,85-6,8 kW	A+++	A+	CS-Z15SKEM		CU-Z15SKE	150 000 Ft	239 000 Ft	389 000 Ft
KIT-Z18SKEM (R32)	0,98-5,6 kW	0,98-7,5 kW	A+++	A+	CS-Z18SKEM		CU-Z18SKE	180 000 Ft	309 000 Ft	489 000 Ft
KIT-Z71TKE (R32) Available 2nd half 2017.	0,98-8,5 kW	0,98-10,2 kW	A++	A+	CS-Z71TKE		CU-Z71TKE	259 000 Ft	430 000 Ft	689 000 Ft

COMPACT INVERTER; Heating down to -15°C; Cooling down to -10°C (R32; R410a)

KIT-TZ20TKE (R32) Available from April 2017.	0,75-2,4 kW	0,7-3,6 kW	A+++	A+	CS-TZ20TKE		CU-TZ20TKE	75 000 Ft	104 000 Ft	179 000 Ft
KIT-TZ25TKE (R32) Available from April 2017.	0,85-3 kW	0,8-4,1 kW	A+++	A+	CS-TZ25TKE		CU-TZ25TKE	79 000 Ft	120 000 Ft	199 000 Ft
KIT-TE25TKE (R410a) Available from April 2017.	0,85-3 kW	0,8-4,1 kW	A+++	A+	CS-TE25TKE		CU-TE25TKE	79 000 Ft	120 000 Ft	199 000 Ft
KIT-TZ35TKE (R32) Available from April 2017.	0,85-3,9 kW	0,8-5,1 kW	A+++	A+	CS-TZ35TKE		CU-TZ35TKE	85 000 Ft	144 000 Ft	229 000 Ft
KIT-TE35TKE (R410a) Available from April 2017.	0,85-3,9 kW	0,8-5,1 kW	A+++	A+	CS-TE35TKE		CU-TE35TKE	85 000 Ft	144 000 Ft	229 000 Ft
KIT-TZ42TKE (R32) Available from April 2017.	0,85-4,6 kW	0,8-6,8 kW	A+	A	CS-TZ42TKE		CU-TZ42TKE	130 000 Ft	219 000 Ft	349 000 Ft
KIT-TZ50TKE (R32) Available from April 2017.	0,98-5,6 kW	0,98-7,8 kW	A+++	A+	CS-TZ50TKE		CU-TZ50TKE	160 000 Ft	239 000 Ft	399 000 Ft
KIT-TZ60TKE (R32) Available from April 2017.	0,98-7,1 kW	0,98-9,5 kW	A+++	A+	CS-TZ60TKE		CU-TZ60TKE	200 000 Ft	299 000 Ft	499 000 Ft
KIT-TZ71TKE (R32) Available from April 2017.	0,98-8,1 kW	0,98-9,9 kW	A+++	A+	CS-TZ71TKE		CU-TZ71TKE	220 000 Ft	369 000 Ft	589 000 Ft

STANDARD INVERTER; Heating down to -15°C; Cooling down to +5°C R32; R410a

KIT-KE25TKE (R410a) Available from April 2017.	0,85-3 kW	0,8-3,6 kW	A+++	A	CS-KE25TKE		CU-KE25TKE	70 000 Ft	109 000 Ft	179 000 Ft
KIT-KE35TKE (R410a) Available from April 2017.	0,85-3,9 kW	0,9-4,4 kW	A+++	A	CS-KE35TKE		CU-KE35TKE	74 000 Ft	117 000 Ft	191 000 Ft
KIT-KE50TKE (R410a) Available from April 2017.	0,98-5,4kW	0,98-7,70 kW	A+++	A	CS-KE50TKE		CU-KE50TKE	116 000 Ft	189 000 Ft	305 000 Ft
KIT-UZ60TKE (R32) Available from April 2017.	0,98-7,1kW	0,98-8,5 kW	A+++	A	CS-UZ60TKE		CU-UZ60TKE	160 000 Ft	239 000 Ft	399 000 Ft

MULTI outdoors R410a

CU-2E12SBE	1,5-4,5 kW	1,1-5,6 kW	A++	A+	Heating: -15°C; Cooling: -10°C		2 indoor units	R410a and R32 INDOORS!	309 000 Ft
CU-2E15SBE	1,5-5,2 kW	1,1-7 kW	A++	A+	Heating: -15°C; Cooling: -10°C		2 indoor units	R410a and R32 INDOORS!	329 000 Ft
CU-2E18SBE	1,5-5,4 kW	1,1-7,2 kW	A++	A+	Heating: -15°C; Cooling: -10°C		2 indoor units	R410a and R32 INDOORS!	375 000 Ft
CU-3E18PBE	1,8-7,3 kW	1,6-8,3 kW	A+	A	Heating: -15°C; Cooling: -10°C		3 indoor units	R410a and R32 INDOORS!	429 000 Ft
CU-3E23SBE	1,9-8 kW	3,3-10,4 Kw	A+++	A+	Heating: -15°C; Cooling: -10°C		3 indoor units	R410a and R32 INDOORS!	519 000 Ft
CU-4E23PBE	1,9-8,8 kW	3-10,6 kW	A+	A+	Heating: -15°C; Cooling: -10°C		4 indoor units	R410a and R32 INDOORS!	576 000 Ft
CU-4E27PBE	3-9,2 kW	4,2-10,6 kW	A+++	A+	Heating: -15°C; Cooling: -10°C		4 indoor units	R410a and R32 INDOORS!	689 000 Ft
CU-5E34PBE	1,6-11,5 kW	1,6-14,5 kW	A+++	A+	Heating: -15°C; Cooling: -10°C		5 indoor units	R410a and R32 INDOORS!	759 000 Ft

PANASONIC NEW DOMESTIC AIR TO AIR HEAT PUMP LIST PRICE (1/2017)

Hungary

Ervenyes: 20.03.2017-31.03.2018 vagy visszavonásig!
Price without VAT!




Models	Cooling Capacity	Heating Capacity	Energy Class		Indoor Unit type	Picture	Outdoor Unit type	Indoor unit Price	Outdoor unit Price	New list Price HUF 2017
			Cooling SEER	Heating SCOP						


ETHEREA SILVER MULTI INDOORS

CS-XZ7SKEW		with wireless remote controller		with wireless remote controller	wall type silver	100 000 Ft
CS-XZ9SKEW		with wireless remote controller		wall type silver	110 000 Ft	
CS-XZ12SKEW		with wireless remote controller		wall type silver	120 000 Ft	
CS-XZ18SKEW		with wireless remote controller		wall type silver	190 000 Ft	

ETHEREA WHITE FREE MULTI INDOORS

CS-MZ16TKE	Available from April 2017.	with wireless remote controller		with wireless remote controller	wall type white	85 000 Ft
CS-Z7SKEW		with wireless remote controller		wall type white	90 000 Ft	
CS-Z9SKEW		with wireless remote controller		wall type white	100 000 Ft	
CS-Z12SKEW		with wireless remote controller		wall type white	110 000 Ft	
CS-Z15SKEW		with wireless remote controller		wall type white	150 000 Ft	
CS-Z18SKEW		with wireless remote controller		wall type white	180 000 Ft	
CS-Z71TKEW	Available from April 2017. With wireless remote controller		wall type white	259 000 Ft		

TZ WHITE FREE MULTI INDOORS

CS-MTZ16TKE	Available from April 2017.	with wireless remote controller		with wireless remote controller	wall type white	65 000 Ft
CS-TZ20TKEW		with wireless remote controller		wall type white	75 000 Ft	
CS-TZ25TKEW		with wireless remote controller		wall type white	79 000 Ft	
CS-TZ35TKEW		with wireless remote controller		wall type white	85 000 Ft	
CS-TZ42TKEW		with wireless remote controller		wall type white	130 000 Ft	
CS-TZ50TKEW		with wireless remote controller		wall type white	160 000 Ft	
CS-TZ60TKEW		with wireless remote controller		wall type white	200 000 Ft	
CS-TZ71TKEW		with wireless remote controller		wall type white	220 000 Ft	


FLOOR-CONSOLE MULTI INDOORS

CS-E9GFEW		with wireless remote controller		with wireless remote controller	floor-console	189 000 Ft
CS-E12GFEW		with wireless remote controller		floor-console	209 000 Ft	
CS-E18GFEW		with wireless remote controller		floor-console	245 000 Ft	

4 WAY CASSETTE MULTI INDOORS

CZ-BT20E		panel for 60x60 4 way cassette			-	51 000 Ft
CS-E9PB4EA		with wireless remote controller		Price without panel	216 000 Ft	
CS-E12PB4EA		with wireless remote controller		Price without panel	246 000 Ft	
CS-E18RB4EAW		with wireless remote controller		Price without panel	267 000 Ft	
CS-E21RB4EAW		with wireless remote controller		Price without panel	288 000 Ft	

DUCTED MULTI INDOORS

CS-E9PD3EA	Height: 235mm	with wireless remote controller		with wireless remote controller	Mini Duct	225 000 Ft
CS-E12QD3EAW	Height: 235mm	with wireless remote controller		Mini Duct	236 000 Ft	
CS-E18RD3EAW	Height: 200mm	with wireless remote controller		Mini Duct	299 000 Ft	

Floor/Console type inverter+ mono; Heating down to -15°C; Cooling down to +16°C

KIT-E9-PFE	0,85-3 kW	0,85-5 kW	A++	A	CS-E9GFEW			CU-E9PFE	189 000 Ft	242 000 Ft	431 000 Ft
KIT-E12-PFE	0,85-3,8 kW	0,85-6 kW	A+	A	CS-E12GFEW			CU-E12PFE	209 000 Ft	316 000 Ft	525 000 Ft
KIT-E18-PFE	0,98-5,6 kW	0,98-7,1 kW	A++	A	CS-E18GFEW			CU-E18PFE	245 000 Ft	367 000 Ft	612 000 Ft

4 way 60x60 cassette inverter mono; Heating down to -10°C; Cooling down to -10°C

KIT-E9-PB4EA	0,85-3,2 kW	0,85-5,1 kW	A+	A+	CS-E9PB4EA		CU-E9PB4EA	216 000 Ft	177 000 Ft	393 000 Ft
KIT-E12-PB4EA	0,85-4 kW	0,85-6,2 kW	A+	A	CS-E12PB4EA		CU-E12PB4EA	246 000 Ft	191 000 Ft	437 000 Ft
KIT-E18-RB4EA	0,9-5,8	0,9-7,1	A+	A+	CS-E18RB4EAW		CU-E18RBEA	267 000 Ft	274 000 Ft	541 000 Ft
KIT-E21-RB4EA	0,9-6,3	0,9-8	A+	A+	CS-E21RB4EAW		CU-E21RBEA	288 000 Ft	325 000 Ft	613 000 Ft
CZ-BT20E		panel for 60x60 4 way cassette								51 000 Ft

Low Static Pressure Duct type inverter mono; Heating down to -10°C; Cooling down to -10°C

KIT-E9-PD3EA	0,85-3 kW	0,85-5 kW	A+	A+	CS-E9PD3EA		CU-E9PD3EA	225 000 Ft	177 000 Ft	402 000 Ft
KIT-E12-QD3EA	0,9-4,7 kW	0,9-5,5 kW	A+	A	CS-E12QD3EAW		CU-E12QD3EA	236 000 Ft	196 000 Ft	432 000 Ft
KIT-E18-RD3EA	0,9-4,7 kW	0,9-5,5 kW	A+	A	CS-E18RD3EAW		CU-E18RBEA	299 000 Ft	274 000 Ft	573 000 Ft

ACCESSORIES

CZ-RD514C	Wired R/C weekly remote controller	16 000 Ft
CZ-RD52CP	Wired R/C Cassette, duct	32 000 Ft
CZ-CAPRA1	Interface to ECOI control integration	49 900 Ft
PAW-SERVER-PKEA	Server room interface with dry contacts for PKEA series	80 000 Ft
PAW-AC-MBS-1	INTERFACE TO CONNECT ETHEREA TO MODBUS	115 000 Ft
PAW-AC-BAC-1	INTERFACE TO CONNECT ETHEREA TO BACNET	139 000 Ft
PAW-AC-HEAT-1	HEATING ONLY PCB FOR ETHEREA, CASSETTE, DUCT	31 000 Ft
PAW-AC-KNX-1i	INTERFACE TO CONNECT ETHEREA TO KNX	115 000 Ft
PAW-SMSCONTROL	Control of the Ethera, Flagship and Heatcharge by SMS (need additional SIM card)	69 000 Ft
PAW-AC-DIO	PCB FOR WALL MOUNTED WITH DRY CONTACTS	49 000 Ft
PAW-AC-ENO-1i	INTERFACE TO CONNECT ETHEREA TO EN-OCEAN	115 000 Ft
PAW-IR-WIFI-1	INTERFACE WI-FI INFRARED SENSOR ONLY ON/OFF AND TEMP. SETTING	48 000 Ft
PA-AC-WIFI-1	INTERFACE WI-FI + ANDRIOD, IOS software	62 000 Ft



PANASONIC NEW COMMERCIAL RANGE LIST PRICE (1/2017)

Hungary

Érvényes: 20.03.2017-31.03.2018 vagy visszavonásig!

Price without VAT!



Models	Cooling Capacity	Heating Capacity	Pictures	New list Price INDOOR or OUTDOOR HUF 2017	Comment	
ELITE PAC-I INVERTER OUTDOOR UNITS						
U-250PE2E8	6-28 kW	6-31,5 kW		1 390 000 Ft	(3 phase)	
U-200PE2E8	6-22,4 kW	6-31,5 kW		1 246 000 Ft	(3 phase)	
U-140PE1E8A	3,3-15,5 kW	4,1-18 kW		911 000 Ft	(3 phase)	
U-140PE1E5A	3,3-15,5 kW	4,1-18 kW		901 000 Ft	(1 phase)	
U-125PE1E8A	3,3-14 kW	4,1-16 kW		719 000 Ft	(3 phase)	
U-125PE1E5A	3,3-14 kW	4,1-16 kW		693 000 Ft	(1 phase)	
U-100PE1E8A	3,3-12,5kW	4,1-14 kW		686 000 Ft	(3 phase)	
U-100PE1E5A	3,3-12,5kW	4,1-14 kW		659 000 Ft	(1 phase)	
U-71PE1E8A	3,2-8 kW	2,8-9 kW		539 000 Ft	(3 phase)	
U-71PE1E5A	2,5-8 kW	2-9 kW		499 000 Ft	(1 phase)	
U-60PE2E5A	2,0-7,1 kW	1,8-8 kW		479 000 Ft	(1 phase)	
U-50PE2E5	1,5-5,6 kW	1,5-6,5 kW		439 000 Ft	(1 phase)	
U-36PE2E5	1,5-4 kW	1,5-5 kW		399 000 Ft	(1 phase)	
STANDARD PAC-I INVERTER OUTDOOR UNITS						
U-140PEY1E8	3,3-15,5 kW	4,1-16 kW			806 000 Ft	(3 phase)
U-125PEY1E8	3,8-13,5 kW	3,4-15 kW			649 000 Ft	(3 phase)
U-125PEY1E5	3,8-13,5 kW	3,4-15 kW	618 000 Ft		(1 phase)	
U-100PEY1E8	2,7-11,5 kW	2,1-13,8 kW	610 000 Ft		(3 phase)	
U-100PEY1E5	2,7-11,5 kW	2,1-13,8 kW	549 000 Ft		(1 phase)	
U-71PEY1E5	2-7,7 kW	1,8-8,1 kW	479 000 Ft		(1 phase)	
U-60PEY2E5	2-7,1 kW	1,8-7 kW	439 000 Ft		(1 phase)	
PKEA INVERTER FOR TECHNICAL AND SERVER ROOMS - WHITE; Heating down to -15°C; Cooling down to -15°C WITH WIRED REMCON R410a				INDOOR or OUTDOOR	INDOOR+OUTDOOR	
CS-E9PKEA	0,85-3 kW	0,85-5,4 kW		84 000 Ft	290 000 Ft	
CS-E12PKEA	0,85-4 kW	0,85-6,6 kW		96 000 Ft	342 000 Ft	
CS-E15PKEA	0,98-5 kW	0,98-7,1kW		161 000 Ft	435 000 Ft	
CS-E18PKEA	0,98-6 kW	0,98-8 kW		171 000 Ft	466 000 Ft	
CU-E9PKEA	0,85-3 kW	0,85-5,4 kW		206 000 Ft	(1 phase)	
CU-E12PKEA	0,85-4 kW	0,85-6,6 kW		246 000 Ft	(1 phase)	
CU-E15PKEA	0,98-5 kW	0,98-7,1kW		274 000 Ft	(1 phase)	
CU-E18PKEA	0,98-6 kW	0,98-8 kW		295 000 Ft	(1 phase)	
PAC-I Air Handling Unit KIT						
PAW-280PAH2	5-28 kW	5-31,5 kW		399 000 Ft	(IP65, 0-10V demand control, Out. Temp shift comp., cold draft prevention)	
PAW-280PAH2M	5-28 kW	5-31,5 kW		349 000 Ft	(IP65) (IP65, 0-10V demand control,)	
PAW-280PAH2L	5-28 kW	5-31,5 kW		299 000 Ft	(IP65)	
PAC-I WALL TYPE INDOOR UNITS						
S-100PK1E5A	10,6 kW	11,4 kW		299 000 Ft		
S-71PK1E5A	7,1 kW	8 kW		279 000 Ft		
S-60PK1E5A	6 kW	7 kW		269 000 Ft		
S-50PK1E5A	5 kW	5,6 kW		259 000 Ft		
S-45PK1E5A	4,5 kW	5,2 kW		249 000 Ft		
S-36PK1E5A	3,6 kW	4,2 kW		239 000 Ft		

PANASONIC NEW COMMERCIAL RANGE LIST PRICE (1/2017)

Hungary

Érvényes: 20.03.2017-31.03.2018 vagy visszavonásig!

Price without VAT!



Models	Cooling Capacity	Heating Capacity	Pictures	New list Price INDOOR or OUTDOOR HUF 2017	Comment
PAC-I CASSETTE TYPE 60X60, 95x95 INDOOR UNITS					
S-140PU2E5A	14 kW	16 kW		472 000 Ft	
S-125PU2E5A	12,5 kW	14 kW		420 000 Ft	
S-100PU2E5A	10 kW	11,2 kW		354 000 Ft	
S-71PU2E5A	7,1 kW	8 kW		279 000 Ft	
S-60PU2E5A	6 kW	7 kW		252 000 Ft	
S-50PU2E5A	5 kW	5,6 kW		245 000 Ft	
S-45PU2E5A	4,5 kW	5,2 kW		242 000 Ft	
S-36PU2E5A	3,6 kW	4,2 kW		239 000 Ft	
S-50PY2E5A	5 kW	5,6 kW		249 000 Ft	
S-45PY2E5A	4,5 kW	5,2 kW		239 000 Ft	
S-36PY2E5A	3,6 kW	4,2 kW		228 000 Ft	
CZ-KPU3	CASSETTE PANEL 33,5x950x950			60 000 Ft	
CZ-KPU3A	CASSETTE PANEL 33,5x950x950 with Econavi			72 000 Ft	
CZ-KPY3A	CASSETTE PANEL 31x700x700			50 000 Ft	
CZ-KPY3B	CASSETTE PANEL 31x625x625			50 000 Ft	
PAC-I MID STATIC DUCTED INDOOR UNITS					
S-140PN1E5A	14 kW	16 kW		337 000 Ft	
S-125PN1E5A	12,5 kW	14 kW		312 000 Ft	
S-100PN1E5A	10 kW	11,2 kW		292 000 Ft	
S-71PN1E5A	7,1 kW	8 kW		258 000 Ft	
S-60PN1E5A	6 kW	7 kW		204 000 Ft	
S-50PN1E5A	5 kW	5,6 kW		196 000 Ft	
S-45PN1E5A	4,5 kW	5,2 kW		187 000 Ft	
S-36PN1E5A	3,6 kW	4,2 kW		177 000 Ft	
PAC-I HIGH STATIC DUCTED INDOOR UNITS					
S-250PE2E5	25 kW	28 kW		999 000 Ft	
S-200PE2E5	20 kW	21,8 kW		828 000 Ft	
S-140PF1E5A	14 kW	16 kW		375 000 Ft	
S-125PF1E5A	12,5 kW	14 kW		347 000 Ft	
S-100PF1E5A	10 kW	11,2 kW		325 000 Ft	
S-71PF1E5A	7,1 kW	8 kW		287 000 Ft	
S-60PF1E5A	6 kW	7 kW		227 000 Ft	
S-50PF1E5A	5 kW	5,6 kW		218 000 Ft	
S-45PF1E5A	4,5 kW	5,2 kW		208 000 Ft	
S-36PF1E5A	3,6 kW	4,2 kW		197 000 Ft	
PAC-I CEILING INDOOR UNITS					
S-140PT2E5A	14 kW	16 kW		434 000 Ft	
S-125PT2E5A	12,5 kW	14 kW		398 000 Ft	
S-100PT2E5A	10 kW	11,2 kW		369 000 Ft	
S-71PT2E5A	7,1 kW	8 kW		313 000 Ft	
S-60PT2E5A	6 kW	7 kW		287 000 Ft	
S-50PT2E5A	5 kW	5,6 kW		257 000 Ft	
S-45PT2E5A	4,5 kW	5,2 kW		254 000 Ft	
S-36PT2E5A	3,6 kW	4,2 kW		250 000 Ft	

PANASONIC NEW COMMERCIAL RANGE LIST PRICE (1/2017)

Hungary

Érvényes: 20.03.2017-31.03.2018 vagy visszavonásig!

Price without VAT!



Models	Cooling Capacity	Heating Capacity	Pictures	New list Price INDOOR or OUTDOOR HUF 2017	Comment
--------	------------------	------------------	----------	---	---------

Air Curtains

FY-10ESPNAH	-	-		142 000 Ft	(900mm 780 m3/h without heating; installation on height max 3m)
FY-10ELPNAH	-	-		161 000 Ft	(1200mm 780 m3/h without heating; installation on height max 3m)
PAW-10PAIRC-MJ	9,2**	11,9**		1 947 000 Ft	(1000mm/1800m 3/h; installation height max 3,5m)
PAW-15PAIRC-MJ	17,5**	17,9**		2 213 000 Ft	(1500mm/2700m 3/h; installation height max 3,5m)
PAW-20PAIRC-MJ	23,1**	23,9**		2 510 000 Ft	(2000mm/3600m 3/h; installation height max 3,5m)
PAW-10PAIRC-MS	9,2**	11,9**		1 703 000 Ft	(1000mm/1800m 3/h; installation height max 3m)
PAW-20PAIRC-MS	17,5**	17,9**		2 310 000 Ft	(2000mm/2700m 3/h; installation height max 3m)

Heat recovery units

PAW-500ZDX2N	500 m3/h; Qc=3,0 kW*		932 000 Ft	with DX COIL
PAW-800ZDX2N	800 m3/h; Qc=4,0 kW*		1 245 000 Ft	with DX COIL
PAW-01KZDX2N	1000 m3/h; Qc=4,5 kW*		1 399 000 Ft	with DX COIL
FY-250ZDY8	250 m3/h		348 000 Ft	without DX COIL
FY-350ZDY8	350 m3/h		377 000 Ft	without DX COIL
FY-500ZDY8	500 m3/h		480 000 Ft	without DX COIL
FY-800ZDY8	800 m3/h		663 000 Ft	without DX COIL
FY-01KZDY8A	1000 m3/h		764 000 Ft	without DX COIL

* For the type of the applicable outdoor unit please check the catalogue !

** For the conditions please check the catalogue!

ACCESSORIES*

CZ-RTC5A	Wired remote control with Econavi button		61 000 Ft		
CZ-RTC4	NEW Standard Wired remote control with Econavi button		25 000 Ft		
CZ-RWSU2N	Wireless remote controller 4way cassette 90x90		43 000 Ft		
CZ-RWSC3	Wireless receiver kit (need CZ-RWSK2 separately)		43 000 Ft		
CZ-RWST3N	Wireless remote control for Ceiling		47 000 Ft		
CZ-RWSK2	Wireless remote control for Wall mounted		25 000 Ft		
CZ-RE2C2	Simplified remote controller		25 000 Ft		
CZ-RELC2	Backlight remote controller		48 000 Ft		
CZ-CSRC3	Temperature Remote sensor		26 000 Ft		
CZ-CENSC1	ECONAVI Sensor (presence detection and human activity)		41 000 Ft		
Connectivity PACi indoor units					
PAW-RC2-KNX-1i	Interface to connect PACi / ECOi indoor units to KNX		115 000 Ft		
PAW-RC2-MBS-1	Interface to connect PACi / ECOi indoor units to Modbus RTU*		115 000 Ft		
PAW-RC2-MBS-4	Interface to connect PACi / ECOi indoor Modbus interface to control 4 indoor/groups		174 900 Ft		
PAW-RC2-BAC-1	Interface to connect PACi / ECOi indoor units to Bacnet	115 000 Ft			


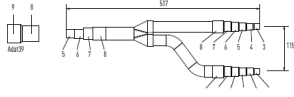
PANASONIC NEW COMMERCIAL RANGE LIST PRICE (1/2017)

Hungary

Érvényes: 20.03.2017-31.03.2018 vagy visszavonásig!

Price without VAT!



Models	Cooling Capacity	Heating Capacity	Pictures	New list Price INDOOR or OUTDOOR HUF 2017	Comment	
PA-RC2-WIFI-1	Interface to connect PACi / ECOi indoor units to IntesisHome		 	78 000 Ft		
PCB's and cables for PACi indoors						
CZ-T10	T10 connector			1 500 Ft		
PAW-FDC	Operate external fan			4 300 Ft		
PAW-OCT	All option monitoring signals			5 600 Ft		
CZ-CAPE2	Option monitoring signal. Wo. Fan			25 000 Ft		
PAW-EXCT	Forced thermo off/leakage D.			9 000 Ft		
PAW-T10	All T10 functions			20 000 Ft		
PAW-SERVER-PKEA	Redundancy of 2 systems; for PKEA			80 000 Ft		
PAW-PACR3	Redundancy of 3 systems; for ECOi and PACi			468 000 Ft		
PAW-ECF	Fan speed control external EC fan			110 000 Ft		
Distribution Joint						
CZ-P224BK2BM	for 2:1 connection (size 60-140)			26 000 Ft		
CZ-P680BK2BM	for 2:1 connection (size 200-280)			43 000 Ft		
CZ-P3HPC2BM	for 3:1 connection (all size)			115 000 Ft		


PANASONIC NEW AIR TO WATER RANGE LIST PRICE (1/2017)
Hungary



Érvényes: 20.03.2017-31.03.2018 vagy visszavonásig!
Price without VAT!

Models	Capacity		Energy Class		Picture	Indoor Unit type	Outdoor Unit type	Indoor unit Price	Outdoor unit Price	New list Price HUF 2017	
	Heating Capacity (kW)	Cooling Capacity (kW)	Energy Efficiency Class at 35°C / at 55°C / at 55°C for DBW	System label 35°C / 55°C							
All in One Bi-BLOC; Operating range to -20°C+35°C; water outlet max 55°C; 200L Stainless steel tank; exchange surface; with "A" class PANASONIC water pump											
1 phase High Performance											
KIT-ADC03HE5	3,2	3,2	A++/A++/A	A++/A++		WH-ADC0309H3E5	WH-UD03HE5-1	1 130 000 Ft	409 000 Ft	1 539 000 Ft	
KIT-ADC03HE5B (2 ZONE BUILT IN HYDRONIK)	3,2	3,2	A++/A++/A	A++/A++		WH-ADC0309H3E5B	WH-UD03HE5-1	1 389 000 Ft	409 000 Ft	1 798 000 Ft	
KIT-ADC05HE5	5	4,5	A++/A++/A	A++/A++		WH-ADC0309H3E5	WH-UD05HE5-1	1 130 000 Ft	479 000 Ft	1 609 000 Ft	
KIT-ADC05HE5B (2 ZONE BUILT IN HYDRONIK)	5	4,5	A++/A++/A	A++/A++		WH-ADC0309H3E5B	WH-UD05HE5-1	1 389 000 Ft	479 000 Ft	1 868 000 Ft	
KIT-ADC07HE5	7	6	A++/A++/A	A++/A++		WH-ADC0309H3E5	WH-UD07HE5-1	1 130 000 Ft	565 000 Ft	1 695 000 Ft	
KIT-ADC07HE5B (2 ZONE BUILT IN HYDRONIK)	7	6	A++/A++/A	A++/A++		WH-ADC0309H3E5B	WH-UD07HE5-1	1 389 000 Ft	565 000 Ft	1 954 000 Ft	
KIT-ADC09HE5	9	7	A++/A++/A	A++/A++		WH-ADC0309H3E5	WH-UD09HE5-1	1 130 000 Ft	650 000 Ft	1 780 000 Ft	
KIT-ADC09HE5B (2 ZONE BUILT IN HYDRONIK)	9	7	A++/A++/A	A++/A++		WH-ADC0309H3E5B	WH-UD09HE5-1	1 389 000 Ft	650 000 Ft	2 039 000 Ft	
KIT-ADC12HE5 Available from Aug 2017.	12	10	A++/A++/A	A++/A++		WH-ADC1216H6E5	WH-UD12HE5	1 419 000 Ft	859 000 Ft	2 278 000 Ft	
KIT-ADC16HE5 Available from Aug 2017.	16	12,2	A++/A++/A	A++/A++		WH-ADC1216H6E5	WH-UD16HE5	1 419 000 Ft	1 019 000 Ft	2 438 000 Ft	
3 phase High Performance											
KIT-ADC09HE8 Available from March 2017.	9	7	A++/A++/A	A++/A++		WH-ADC0916H9E8	WH-UD09HE8	1 519 000 Ft	790 000 Ft	2 309 000 Ft	
KIT-ADC12HE8 Available from March 2017.	12	10	A++/A++/A	A++/A++		WH-ADC0916H9E8	WH-UD12HE8	1 519 000 Ft	910 000 Ft	2 429 000 Ft	
KIT-ADC16HE8 Available from March 2017.	16	12,2	A++/A++/A	A++/A++		WH-ADC0916H9E8	WH-UD16HE8	1 519 000 Ft	1 077 000 Ft	2 596 000 Ft	
1 phase T-CAP* Heating capacity at -15°C!						WH-ADC1216H6E5	WH-UX09HE5	1 419 000 Ft	785 000 Ft	2 204 000 Ft	
KIT-AXC09HE5 Available from July 2017.	9*	7	A++/A++/A	A++/A++		WH-ADC1216H6E5	WH-UX12HE5	1 419 000 Ft	1 039 000 Ft	2 458 000 Ft	
KIT-AXC12HE5 Available from July 2017.	12*	10	A++/A++/A	A++/A++		WH-ADC0916H9E8	WH-UX09HE8	1 519 000 Ft	954 000 Ft	2 473 000 Ft	
3 phase T-CAP* Heating capacity at -15°C!						WH-ADC0916H9E8	WH-UX12HE8	1 519 000 Ft	1 089 000 Ft	2 608 000 Ft	
KIT-AXC09HE8 Available from March 2017.	9*	7	A++/A++/A	A++/A++		WH-ADC0916H9E8	WH-UX16FE8	1 519 000 Ft	1 250 000 Ft	2 769 000 Ft	
KIT-AXC12HE8 Available from March 2017.	12*	10	A++/A++/A	A++/A++	High Performance Bi-BLOC; Operating range to -20°C+35°C; water outlet max 55°C; with "A" class PANASONIC water pump						
1 phase Heating/Cooling											
KIT-WC03H3E5	3,2	3,2	A++/A++	A++/A++		WH-SDC03H3E5(-1)	WH-UD03HE5(-1)	620 000 Ft	409 000 Ft	1 029 000 Ft	
KIT-WC05H3E5	5	4,5	A++/A++	A++/A++		WH-SDC05H3E5(-1)	WH-UD05HE5(-1)	645 000 Ft	479 000 Ft	1 124 000 Ft	
KIT-WC07H3E5	7	6	A++/A++	A++/A++		WH-SDC07H3E5(-1)	WH-UD07HE5(-1)	705 000 Ft	565 000 Ft	1 270 000 Ft	
KIT-WC09H3E5	9	7	A++/A++	A++/A++		WH-SDC09H3E5(-1)	WH-UD09HE5(-1)	735 000 Ft	650 000 Ft	1 385 000 Ft	
KIT-WC12H6E5 Available from May 2017.	12	10	A++/A++	A++/A++		WH-SDC12H6E5	WH-UD12HE5	909 000 Ft	859 000 Ft	1 768 000 Ft	
KIT-WC16H6E5 Available from May 2017.	16	12,2	A++/A++	A++/A++		WH-SDC16H6E5	WH-UD16HE5	1 059 000 Ft	1 019 000 Ft	2 078 000 Ft	
3 phase Heating/Cooling											
KIT-WC09H3E8	9	7	A++/A++	A++/A++			WH-SDC09H3E8	WH-UD09HE8	845 000 Ft	790 000 Ft	1 635 000 Ft
KIT-WC12H9E8	12	10	A++/A++	A++/A++			WH-SDC12H9E8	WH-UD12HE8	940 000 Ft	910 000 Ft	1 850 000 Ft
KIT-WC16H9E8	16	12,2	A++/A++	A++/A++			WH-SDC16H9E8	WH-UD16HE8	1 110 000 Ft	1 077 000 Ft	2 187 000 Ft
T-CAP Bi-BLOC; Operating range to -28°C+35°C; water outlet max 60°C; with "A" class PANASONIC water pump											
1 phase T-CAP* Heating capacity at -15°C!											
KIT-WXC09H3E5 Available from April 2017.	9*	7	A++	A++		WH-SXC09H3E5	WH-UX09HE5	739 000 Ft	785 000 Ft	1 524 000 Ft	
KIT-WXC12H6E5 Available from April 2017.	12*	10	A++	A++		WH-SXC12H6E5	WH-UX12HE5	899 000 Ft	1 039 000 Ft	1 938 000 Ft	
3 phase T-CAP* Heating capacity at -15°C!						WH-SXC09H3E8	WH-UX09HE8	780 000 Ft	954 000 Ft	1 734 000 Ft	
KIT-WQC09H3E8 super quiet outdoor unit Available from May 2017.	9*	7	A++	A++		WH-SQC09H3E8	WH-UQ09HE8	890 000 Ft	1 090 000 Ft	1 980 000 Ft	
KIT-WXC12H9E8 super quiet outdoor unit Available from May 2017.	12*	10	A++	A++	WH-SXC12H9E8	WH-UX12HE8	938 000 Ft	1 089 000 Ft	2 027 000 Ft		
KIT-WQC12H9E8 super quiet outdoor unit Available from May 2017.	12*	10	A++	A++	WH-SQC12H9E8	WH-UQ12HE8	988 000 Ft	1 219 000 Ft	2 207 000 Ft		
KIT-WXC16H9E8 super quiet outdoor unit Available from May 2017.	16*	12,2	A++	A++	WH-SXC16H9E8	WH-UX16HE8	1 189 000 Ft	1 250 000 Ft	2 439 000 Ft		
KIT-WQC16H9E8 super quiet outdoor unit Available from May 2017.	16*	12,2	A++	A++	WH-SQC16H9E8	WH-UQ16HE8	1 239 000 Ft	1 500 000 Ft	2 739 000 Ft		
HT Bi-BLOC; Operating range to -20°C+35°C; water outlet max 65°C; with "A" class PANASONIC water pump											
1 phase											
KIT-WHF09F3E5	9	-	A++	A++		WH-SHF09F3E5	WH-UH09FE5	719 000 Ft	815 000 Ft	1 534 000 Ft	
KIT-WHF12F6E5	12	-	A++	A++		WH-SHF12F6E5	WH-UH12FE5	858 000 Ft	1 087 000 Ft	1 945 000 Ft	
3 phase						WH-SHF09F3E8	WH-UH09FE8	817 000 Ft	999 000 Ft	1 816 000 Ft	
KIT-WHF12F9E8	12	-	A++	A++		WH-SHF12F9E8	WH-UH12FE8	903 000 Ft	1 151 000 Ft	2 054 000 Ft	
Aquaair Air Radiators											
Fan-coils with radiant heating											
PAW-AAIR-200-1	0,57									249 000 Ft	
PAW-AAIR-700-1	1,188									279 000 Ft	
PAW-AAIR-900-1	1,703									299 000 Ft	

Aquare Tanks				
PAW-TD20B8E3-NDS	185 (for DHW tank) / 80 (for buffer tank), Electric heater 3kW, Exchange surface 2.3 m ² , 3 Way valve included, Safety thermostat with contact for failure part of E-Heating	185 l/80 l		761 000 Ft
WH-TD20C1E5	192 l Stainless steel, CZ-TK1,3 kW electric heater, 1,8m ² exchange surface. TANK WITHOUT 3WAY VALVE!	200 l		349 000 Ft
WH-TD30C1E5	280 l Stainless steel, CZ-TK1,3 kW electric heater, 1,8m ² exchange surface TANK WITHOUT 3WAY VALVE!	300 l		399 000 Ft
PAW-TG15C1EZ	150 l, CZ-TK1,3 kW electric heater, 1,4 m ² exchange surface TANK WITHOUT 3WAY VALVE!	150 l		Later
PAW-TG20C1E3STD-1	185 l, CZ-TK1,3 kW electric heater, 2 m ² exchange surface TANK WITHOUT 3WAY VALVE!	185 l		279 000 Ft
PAW-TG30C1E3STD-1	285 l, CZ-TK1,3 kW electric heater, 2,5 m ² exchange surface TANK WITHOUT 3WAY VALVE!	285 l		335 000 Ft
PAW-TG40C1E3STD-1	396 l, CZ-TK1,3 kW electric heater, 6,1m ² exchange surface TANK WITHOUT 3WAY VALVE!	410 l		569 000 Ft
PAW-TG30C2E3STD-1	284 l, CZ-TK1,3 kW electric heater, 2,4m ² exchange surface for HP +1 m ² for boiler or solar TANK WITHOUT 3WAY VALVE!	290 l		559 000 Ft
PAW-3WYVLV-SI	3 WAY VALVE ACCESSORY			39 000 Ft
PAW-BTANK50L	50 l buffer tank	50 l		59 900 Ft
AQUAREA DHW Heat Pump Water Heaters				
PAW-DHWM80ZNT	COP DHW (A7 / W10-55) EN 16147: 2,65 ; Electric heater: 2x1kW Dimensions of air ducts: Ø125 (150x70) /10	80 L		362 000 Ft
PAW-DHWM100ZNT	COP DHW (A7 / W10-55) EN 16147: 2,63 ; Electric heater: 2x1kW Dimensions of air ducts: Ø125 (150x70) /10	100 L		384 000 Ft
PAW-DHWM120ZNT	COP DHW (A7 / W10-55) EN 16147: 2,61 ; Electric heater: 2x1kW Dimensions of air ducts: Ø125 (150x70) /10	120 L		409 000 Ft
PAW-DHWM200A	COP DHW (A7 / W10-55) EN 16147: 3,00 ; Dimensions of air ducts: Ø 160/10	208 L		536 000 Ft
PAW-DHWM300A	COP DHW (A7 / W10-55) EN 16 147: 3,33 Dimensions of air ducts: Ø 160/10	295 L		599 000 Ft
PAW-DHWM300AE	COP DHW (A7 / W10-55) EN 16147: 3,33 ; Dimensions of air ducts: Ø 160/10	276 L		649 000 Ft

Accessories			
Solar Kit Accessories			
CZ-NS3P	Solar connection PCB (for Mono-Bloc 6 and 9kW type)		18 700 Ft
CZ-NS2P	Solar connection PCB (for Mono-Bloc)		18 700 Ft
Sanitary Tank Accessories			
CZ-TK1	Temperature sensor kit for third party tank (with copper pocket and 6 m length sensor cable)		25 000 Ft
PAW-TS1	Sensor with 6 meter cable length		4 500 Ft
PAW-TS2	Tank sensor with 20 meter cable length		6 000 Ft
PAW-TS4	Tank sensor with 6 meter cable length and only 6 mm diameter		4 500 Ft
Sanitary Tank Accessories			
CZ-NE1P	Base pan heater (for all old Bi-Block and Mono Block, not for the 3 and 5 kW)		40 500 Ft
CZ-NE2P	Base pan heater (for 3 kW and 5 kW)		40 500 Ft
CZ-NE3P	Base pan heater (for all new F generation products: F3, F6, F9)		40 500 Ft
Accessories			
Accessories for Aquarea			
CZ-UG30	Outdoor Noise reduction Kit, 2-3dB(A) noise reduction		59 000 Ft
PAW-ADC-PREKIT	Flexible pipings and wall mounting plate for All in one		99 000 Ft
PAW-ADC-CV150	Decorative magnetic side cover for All in one		29 000 Ft
Accessories for Aquarea Air			
PAW-AAIR-LEGS-1	Kits of 2 legs to support the Aquarea Air on the floor and to protect the water pipings		18 000 Ft
Accessories for Aquarea DHW			
PAW-DHWE2C	2 kW optional electrical heater for floor standing		69 000 Ft
PAW-DHWE3C	3 kW optional electrical heater for floor standing		76 000 Ft
Special outdoor supports			
PAW-GRDBSE20	Outdoor base ground support for noise and vibration absorption (600 x 95 x 130, 500 kg)		39 000 Ft
PAW-WTRAY	Tray for condenser water compatible with base ground support		69 000 Ft
PAW-GRDSTD40	Outdoor elevation platform		46 000 Ft
Connectivity Solutions			
CZ-TAW1	WiFi interface H generation - Panasonic cloud solution		69 900 Ft
PAW-AW-KNX-H	Interface to connect to KNX		115 000 Ft
PAW-AW-KNX-I	Interface to connect to KNX		115 000 Ft
PAW-AW-MBS-H	Interface to connect to Modbus		115 000 Ft
PAW-AW-MBS-I	Interface to connect to Modbus		115 000 Ft
PA-AW-WIFI-1TE	WiFi + Wired room temperature sensor to display the temperature of a room		89 000 Ft
PAW-A2W-BIV	Bivalence Manager for A2W		99 000 Ft
Room Thermostats			
PAW-A2W-RTWIRED	Wired LCD room thermostat with weekly timer		33 000 Ft
PAW-A2W-RTWIREFLESS	Wireless LCD room thermostat with weekly timer		80 000 Ft
Aquarea Manager Accessories			
PAW-HPM1	Aquarea Manager with LCD		137 000 Ft
PAW-HPM2	Aquarea Manager without LCD		127 000 Ft
PAW-HPMINT-U	Interface to connect Aquarea Manager to Heat pump Aquarea Bi-Bloc, with inverter control		16 000 Ft
PAW-HPMINT-M	Interface to connect Aquarea Manager to Heat pump Aquarea Mono-Bloc, with inverter control		21 000 Ft
PAW-HP-MINT-F	Interface to connect Aquarea Manager to Heat pump Aquarea Mono-Bloc and Bi-Bloc F type.		16 000 Ft
PAW-HPMB1	Buffer tank sensor		10 400 Ft
PAW-HPMDHW	Buffer tank sensor with well		21 800 Ft
PAW-HPMSOL1	Buffer tank sensor solar (with higher temperature range)		18 700 Ft
PAW-HPMUH	Outdoor temperature sensor		13 000 Ft
PAW-HPMAH1	Water flow sensor for heating circuit		15 600 Ft
PAW-HPMR4	Room sensor		18 000 Ft
PAW-HPMED	Touch screen		109 000 Ft
PAW-LANCABLE	Network cable		3 200 Ft
PAW-A2WSWITCH	Network switch		25 000 Ft
PAW-HPMUH	Outdoor temperature sensor		12 500 Ft
PAW-A2W-TSOD	Outdoor sensor for H Generation		12 000 Ft
PAW-A2W-TSHC	Zone Water Sensor for H Generation		12 000 Ft
PAW-A2W-TSRT	Zone Room Sensor for H generation		12 000 Ft
PAW-A2W-TSSO	Solar Sensor for H Generation		12 000 Ft
PAW-A2W-TSBU	Buffer Tank Sensor for H Generation		8 000 Ft
CZ-NS4P	PCB for H generation A2W (swimming pool, solar, 2 zone ... function)		59 000 Ft
PAW-DEWPOINTSENSOR	Dew point sensor		5 000 Ft
Hydraulic Accessories			
CZ-NV1	3 way valve for H generation (inside hydrobox, mainly PDE)		95 000 Ft
PAW-FLWMTR-KIT	Flowmeter		69 000 Ft
PAW-2PMP2ZONE	2 zone kit with hydraulic switch, manifold, 2 A-class pumps, one mixture valve		416 000 Ft
PAW-FILTER	2 check valves + filter		46 000 Ft
PAW-FILTER-ONLY	Filter with 1"		22 000 Ft